

## Classic Square™



### 3500 Heavy-Duty Hotel/Contract Sofa Sleeper System

#### Available Sizes

Width	3500 Series Mattress Spec.
44" (single)	Thickness: 5" - 5 1/2" 12cm - 14cm
60" (double)	Length: Max 71" - 72" 180cm - 182cm
68" (queen)	Width: Unit size minus 8" (20cm)

#### 1 Anti-Tilt

A necessary safety feature, keeping the unit in contact with the floor at all times in the open position.

#### 2 Double-Locking TV Headrest

Provides added comfort while lounging or watching TV by raising the upper body. To reduce field failures, the headrest also restricts the unit from being cycled while in the "up" position.

#### 3 Body-Support Tubes and Wires

Together they enhance support in the body section to eliminate sagging. The cross tubes keep the unit square and enhance unit strength.

#### 4 Contoured Seat Section

Offers a wider seating area by allowing seating close to the arm.

#### 5 Seat-Support Wires

Provides support while sleeping, plus adding durability to the overall unit. Support wires also give the quality feel of stationary seating.

#### 6 All-Square Tubular Heavy-Duty Construction

Provides a strong and visually appealing look with improved safety (eliminated pinch points) and comfort in the seated position. Heavy-duty construction designed for contract use and available in residential use.

#### 7 Pro-Deck™

Two-ply ballistic decking material enhances durability and visual appeal.

#### 8 Dual One-Piece Round Tubular Legs

Provides enhanced stability and strength, allowing the unit to be operated from the center or side position. Forest black color.

#### 9 Engineered Low-Profile Linkage

Keeps all metal parts below the mattress line, while being the easiest to operate in the industry.



#### Seating Applications



#### Hotel/Contract Use

#### Product Codes

Mechanism - No Mattress

Mechanism + Damask Innerspring Mattress

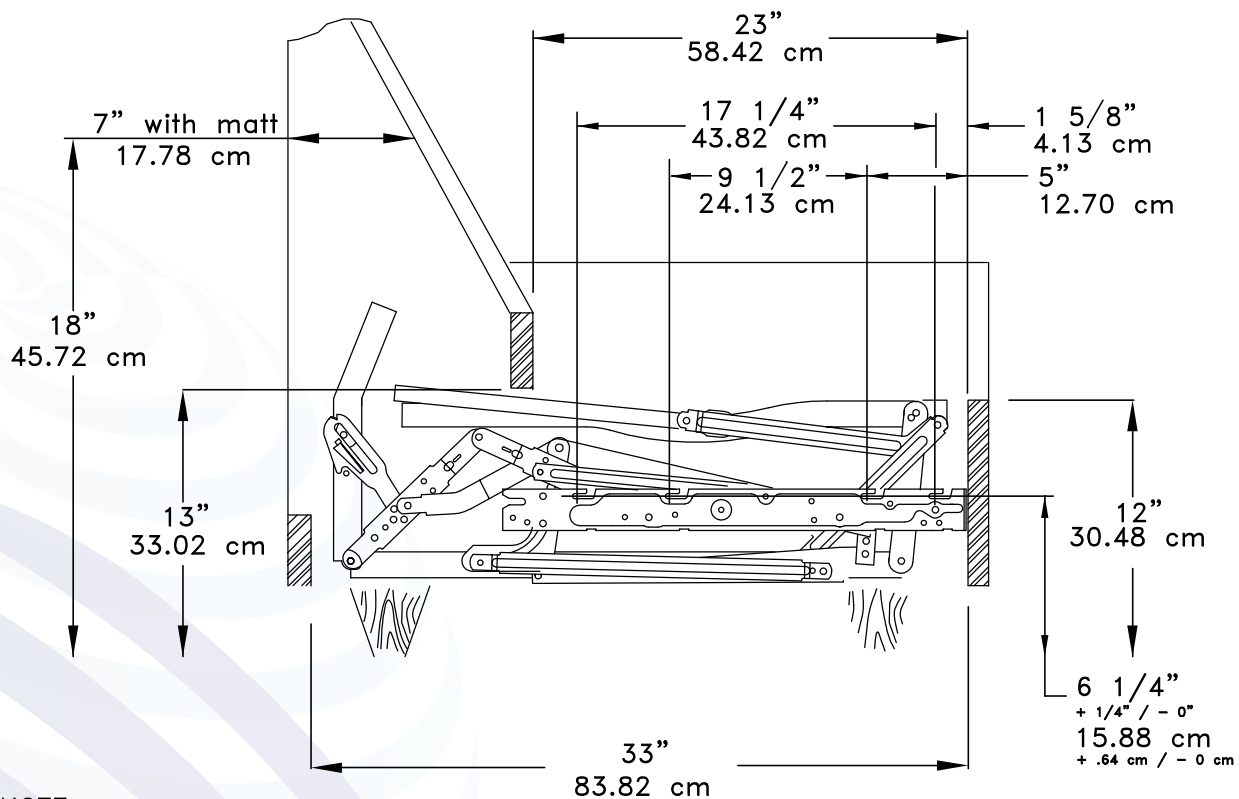
44" Single	60" Double	68" Queen
CU0044	CU0060	CU0067
CU0244	CU0260	CU0267

### 3500 Heavy-Duty Hotel/Contract Sofa Sleeper System

Available Mounting Sizes:	44 inch	111.76 cm
	60 inch	152.40 cm
	68 inch	172.72 cm

Mattress Specifications:	Thickness :	5 - 6 inch	(15 - 18 cm)
	Length :	72 inch	(182.88 cm)
	Width :	Unit size minus 8 inches (20.32 cm)	

#### MOUNTING SPECIFICATIONS



NOTE:  
ALL FRAME DIMENSIONS ARE MINIMUM.

Note:  
All Frame Dimensions are Minimum.



The attached image is copyrighted and proprietary to Leggett & Platt, Incorporated and can only be used to promote Leggett & Platt, Incorporated products and services. Any person or entity accepting this image agrees to make no disclosure, use, duplication or modification thereof except as authorized by Leggett & Platt, Incorporated and to return this image and all copies thereof immediately upon request. Copyright © 2011 Leggett & Platt, Incorporated. All rights reserved.