

Classic Square™



3800 Heavy-Duty Hotel/Contract Sofa Sleeper with COOLMAX GEL Mattress

Width	Coolmax Gel Mattress Spec.
44"	Thickness: 5" - 6" (15 - 18 cm) Length: 74"-75" (188 - 190 cm) Width: Unit size minus 8"
48"	
60"	
68"	



mattress dissection pictured

1 Anti-Tilt

A necessary safety feature, keeping the unit in contact with the floor at all times in the open position.

2 Double-Locking TV Headrest

Provides added comfort while lounging or watching TV by raising the upper body. To reduce field failures, the headrest also restricts the unit from being cycled while in the "up" position.

3 Body-Support Tubes and Wires

Together they enhance support in the body section to eliminate sagging. The cross tubes keep the unit square and enhance unit strength.

4 Contoured Seat Section

Offers a wider seating area by allowing seating close to the arm.

5 Seat-Support Wires

Provides support while sleeping, plus adding durability to the overall unit. Support wires also give the quality feel of stationary seating.

6 All-Square Tubular Heavy-Duty Construction

Provides a strong and visually appealing look with improved safety (eliminated pinch points) and comfort in the seated position. Heavy-duty construction designed for contract use and available in residential use.

7 Pro-Deck™

Two-ply ballistic decking material enhances durability and visual appeal.

8 Dual One-Piece Round Tubular Legs

Provides enhanced stability and strength, allowing the unit to be operated from the center or side position. Forest black color.

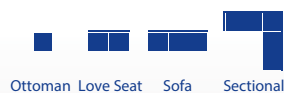
9 Engineered Low-Profile Linkage

Keeps all metal parts below the mattress line, while being the easiest to operate in the industry.

Coolmax Gel Mattress

A combination of Gel and Memory Foam, for the ultimate in sleeping comfort.

Seating Applications



Ottoman Love Seat Sofa Sectional



Product Codes: CB0644 (44")
CB0648 (48")
CB0660 (60")
CB0668 (68")

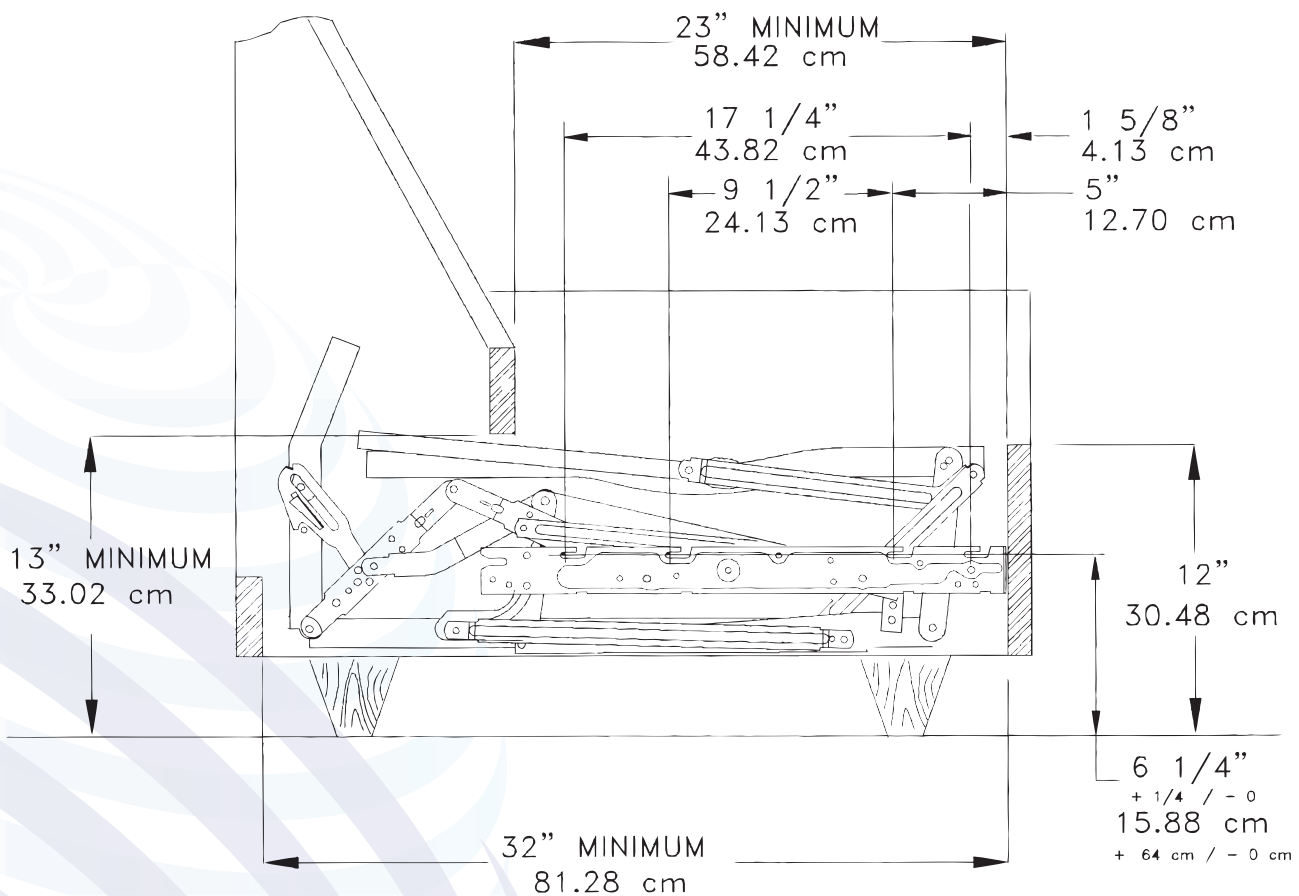
Hotel/Contract Use

3800 Heavy-Duty Hotel/Contract Sofa Sleeper System with Coolmax Gel Mattress

Available Mounting Sizes:	44 inch	111.76 cm
	48 inch	121.92 cm
	55 inch	139.70 cm
	60 inch	152.40 cm
	68 inch	172.72 cm

Mattress Specifications:	Thickness :	5 - 6 inch	(15 - 18 cm)
	Length :	74 - 75 inch	(188 - 190 cm)
	Width :	Unit size minus 8 inches (20.32 cm)	

MOUNTING SPECIFICATIONS



Note:
All Frame Dimensions are Minimum.



The attached image is copyrighted and proprietary to Leggett & Platt, Incorporated and can only be used to promote Leggett & Platt, Incorporated products and services. Any person or entity accepting this image agrees to make no disclosure, use, duplication or modification thereof except as authorized by Leggett & Platt, Incorporated and to return this image and all copies thereof immediately upon request. Copyright © 2011 Leggett & Platt, Incorporated. All rights reserved.