



Residential - Sofa Sleeper System 2500

Available Sizes

Width	2700 Series Mattress Spec.
44" (single)	Thickness: 4" - 4 3/4" (10-12cm) Length: Max 71" - 72" (180-183cm) Width: Unit size minus 8" (20cm)
60" (double)	
67" (queen)	

Residential Use

Seating Applications



1 Anti-Tilt

A necessary safety feature, keeping the unit in contact with the floor at all times in the open position.

2 Double-Locking TV Headrest

Provides added comfort while lounging or watching TV by raising the upper body. To reduce field failures, the headrest also restricts the unit from being cycled while in the "up" position.

3 Body-Support Tubes and Wires

Together enhances support in the body section to eliminate sagging. The dual-welded offset tubes keep the unit square and enhance unit strength.

4 Contoured Seat Section

Offers a wider seating area by allowing seating close to the arm.

5 Seat-Support Wires

Provides support while sleeping, plus adding durability to the overall unit. Support wires also give the quality feel of stationary seating.

6 All-Round Tubular Frame Construction

Provides a smooth and visually appealing look with improved safety (eliminated pinch points) and comfort in the seated position.

7 Pro-Deck™

Two-ply ballistic decking material enhances durability and visual appeal.

8 Dual One-Piece Round Tubular Legs

Provides enhanced stability and strength, allowing the unit to be operated from the center or side position. Forest black color.

9 Engineered Low-Profile Linkage

Keeps all metal parts below the mattress line, while being the easiest to operate in the industry.



Product Codes

Mechanism - No Mattress

Mechanism + Damask Innerspring Mattress

44" Single	60" Double	67" Queen
---------------	---------------	--------------

BX0044	BX0060	BX0067
--------	--------	--------

BX0244	BX0260	BX0267
--------	--------	--------



STANDARD LENGTH TUBULAR SLEEPER

2500 SERIES

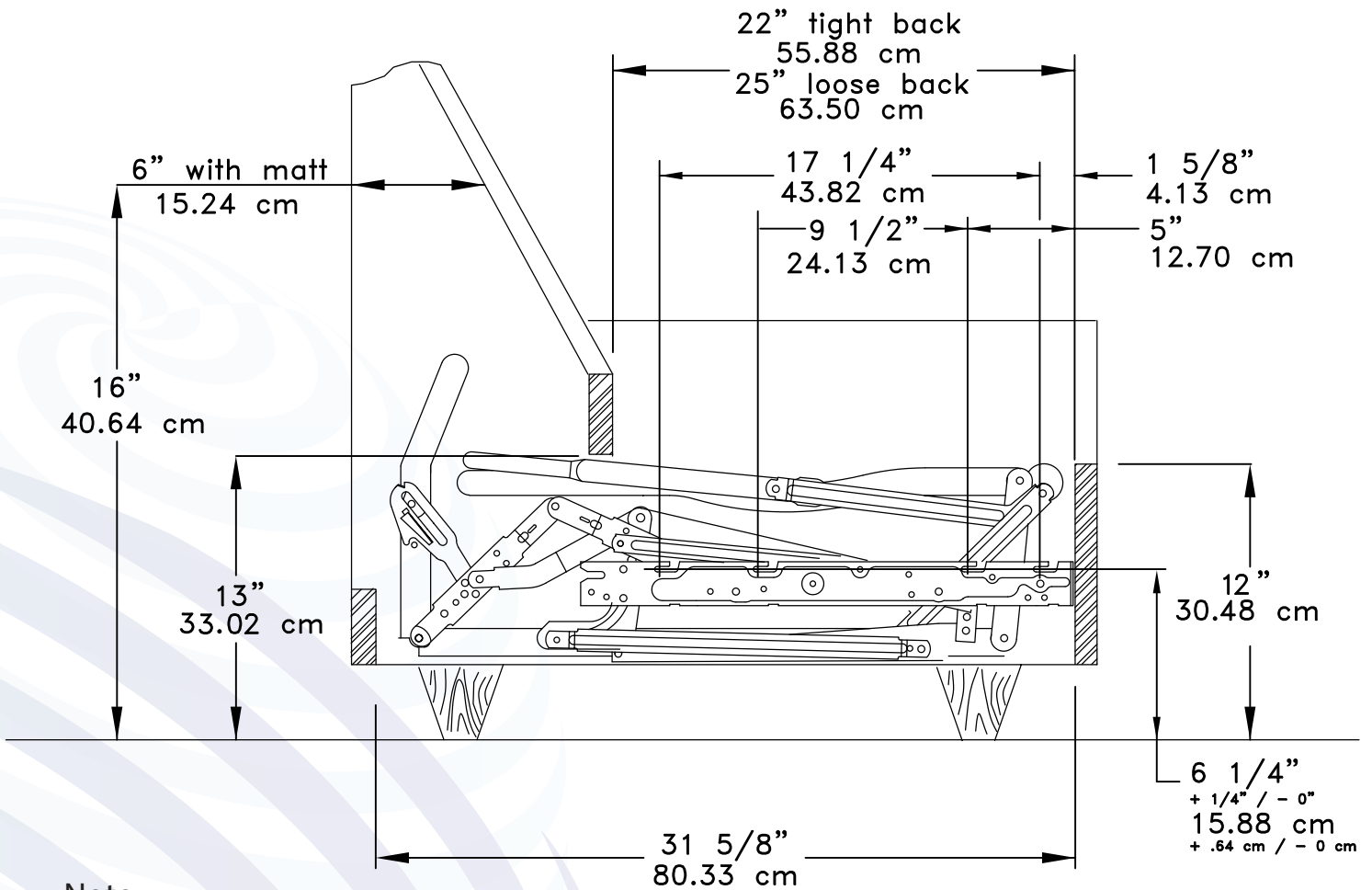
Available Mounting Sizes:

44 inch	111.76 cm
60 inch	152.40 cm
67 inch	170.18 cm

Mattress Specifications:

Thickness: 4 inch - 4 3/4 inch (10.16cm - 12.07cm)
 Length: 71 inch - 72 inch (180.34 cm - 182.88 cm)
 Width: Unit size -8 inches (20.32 cm)

MOUNTING SPECIFICATIONS



Note:
All Frame Dimensions are Minimum.



Adelaide
08 8277 7733

Brisbane
07 3808 7277

Gold Coast
07 5593 8288

Melbourne
03 8480 0800

Perth
08 9244 4433

Sydney
02 9832 7000

Auckland
09 820 0780

theshanngroup.com

shann.co.nz



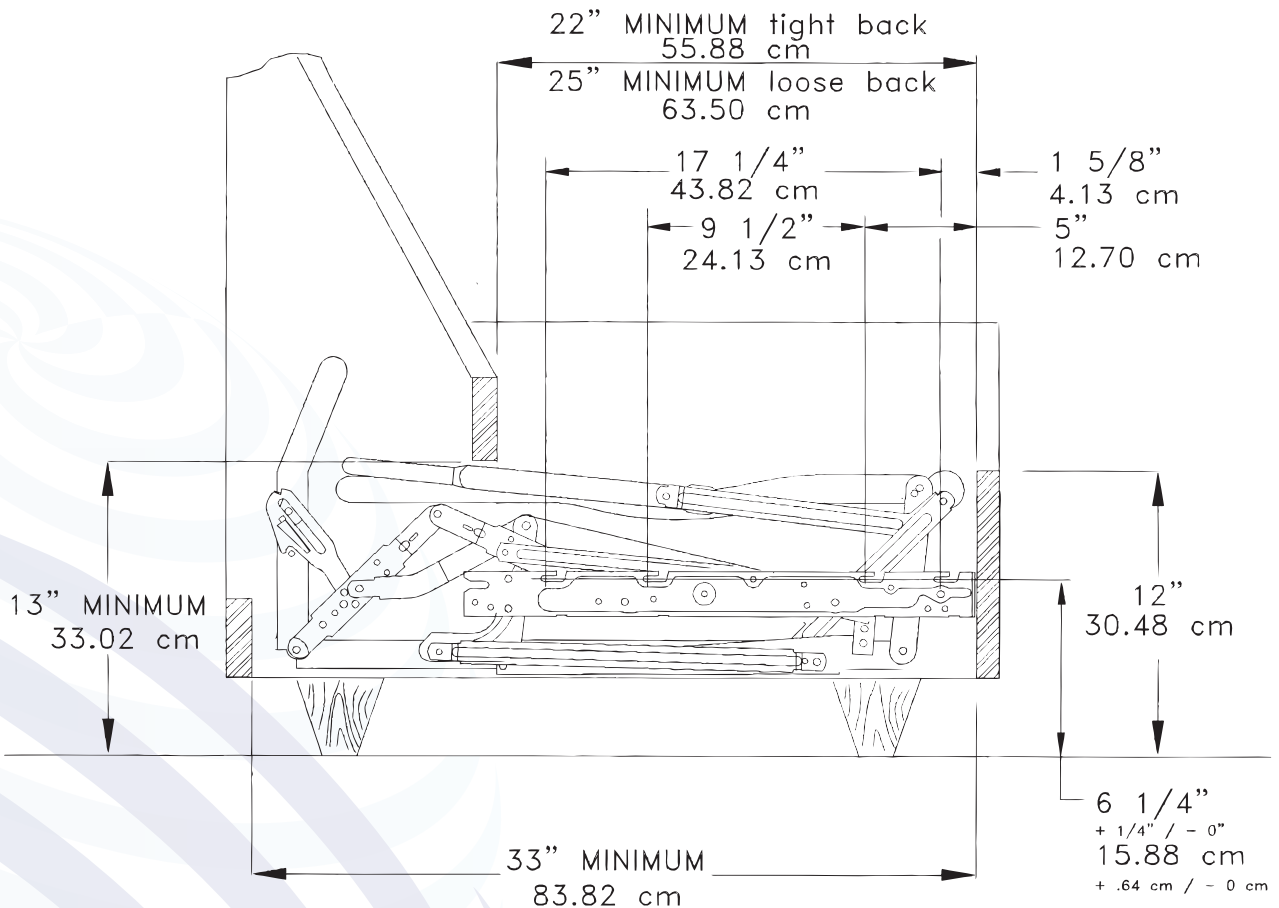
PLUS XL EXTRA LENGTH TUBULAR SLEEPER

2900 SERIES

Available Mounting Sizes:	44 inch	111.76 cm
	60 inch	152.40 cm
	68 inch	172.72 cm

Mattress Specifications:	Thickness: 5 inch - 5 1/2 inch	(12.70 - 14.61 cm)
	Length: 74 inch - 75 inch	(187.96 cm - 190.50 cm)
	Width: Unit size minus 8 inches	(20.32 cm)

MOUNTING SPECIFICATIONS



Note:
All Frame Dimensions are Minimum.



INCORPORATED

No. 1 Leggett Road • Carthage, MO 64836 • (417) 358-8131 Fax: (417) 358-6667

10/01